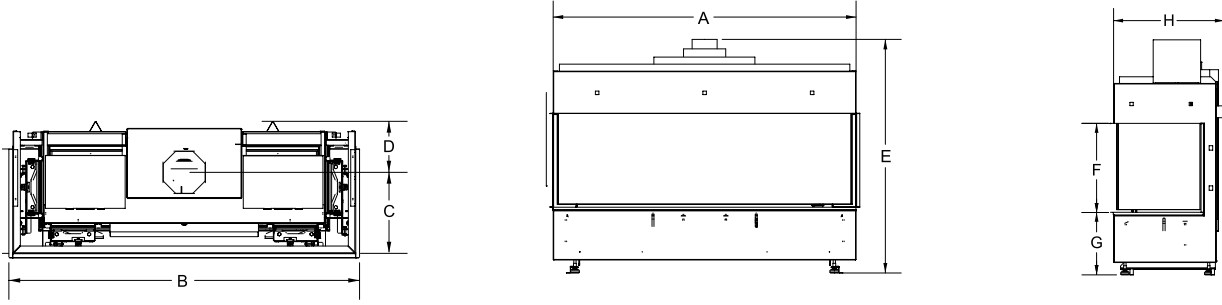
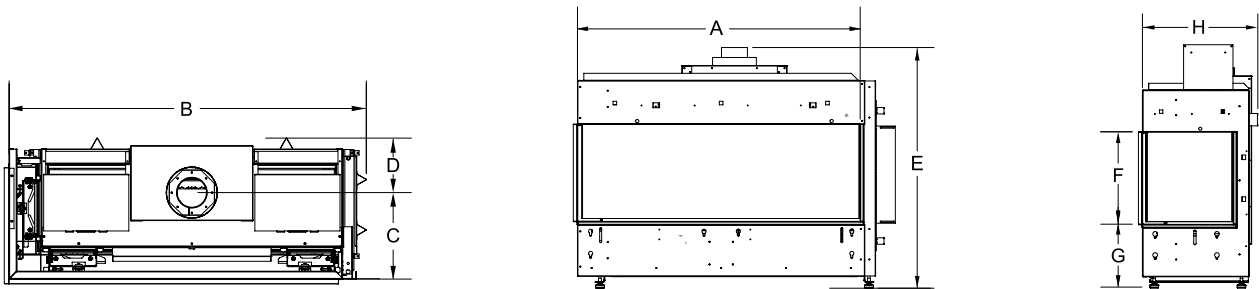


Specifications (mm)

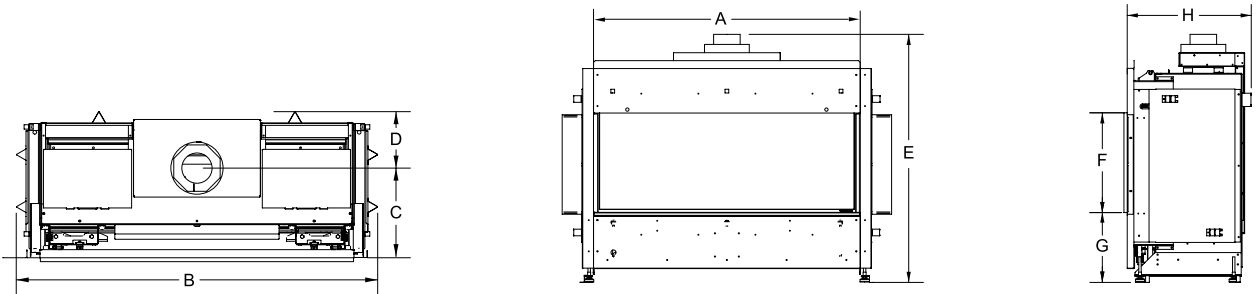
San Francisco Bay units :



Chicago Corner units :



New York View units :

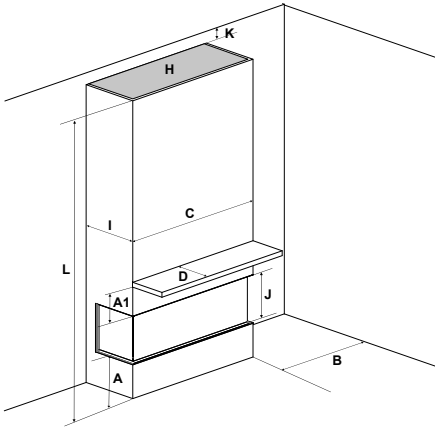


	ACB40E	ACC40RE • ACC40LE	ACV40E
A	1231 mm	1109 mm	1016 mm
B	1261 mm	1219 mm	1175 mm
C	291 mm	291 mm	291 mm
D	183 mm	183 mm	183 mm
E	946 mm	946 mm	946 mm
F	382 mm	382 mm	382 mm
G	267 mm	267 mm	267 mm
H	475 mm	475 mm	475 mm

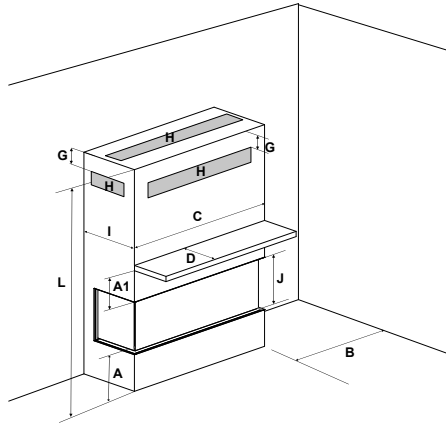
UNITS	VENTING
ACB40E, ACC40RE, ACC40LE, ACV40E	10.2 cm x 17.5 cm

CLEARANCES (mm)

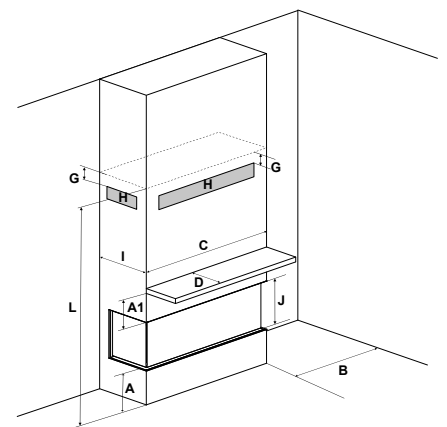
San Francisco Bay units :



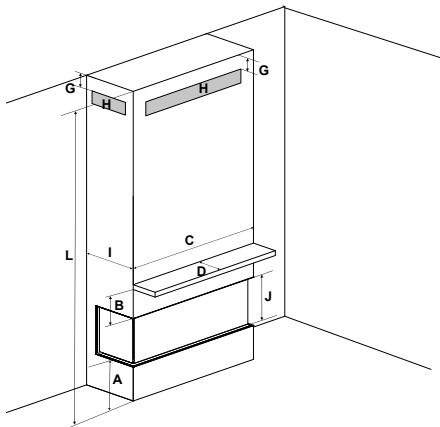
Floor to ceiling with top opening



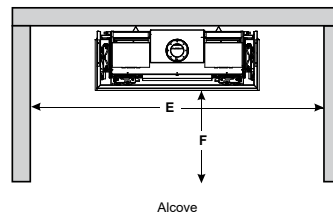
Low framing with vents in front/sides or top



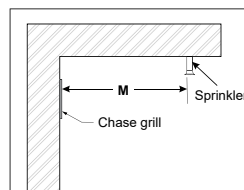
Full framing with low vents in front or sides



Full framing with vents in front or sides



Alcove



Side view

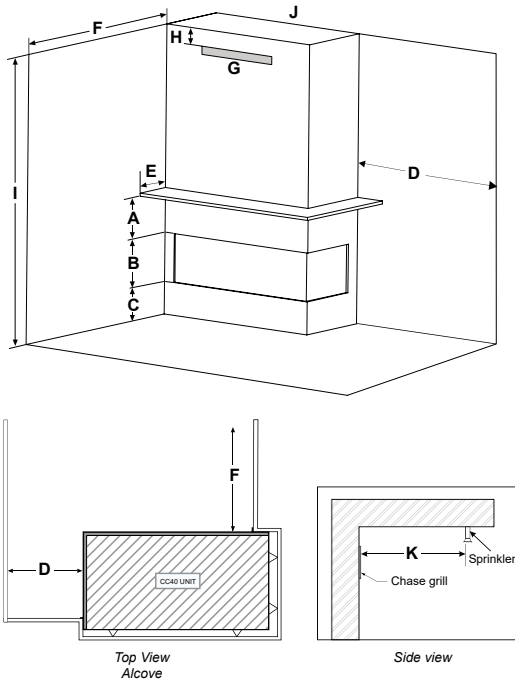
CLEARANCES		ACB40E
A1	From Floor	Min. 0 mm
A	Mantel Height (min.)	**
B	Sidewall (on one side)	216 mm
C	Enclosure Width (min.)	1230 mm
D	Mantel Depth (max.)	**
E	Alcove Width	2134 mm
F	Alcove Depth	914 mm
G	To Enclosure Ceiling (min./max.)	0 - 76 mm
H	Convection Air Outlet (min.)	*
I	Enclosure Depth (min.)	483 mm
J	Opening Height	383 mm
K	To Ceiling (min.) - All 3 sides	38 mm
L	Chase Enclosure (min.)	1600 mm

* A minimum of 774 square centimeters of open area, not lower than 76mm from top of enclosure, required for all installations – this can be achieved by having an open area in front, each side, and/or above as shown in the four diagrams

** See mantel clearances chart in the manual

CLEARANCES (mm)

Chicago Corner units :

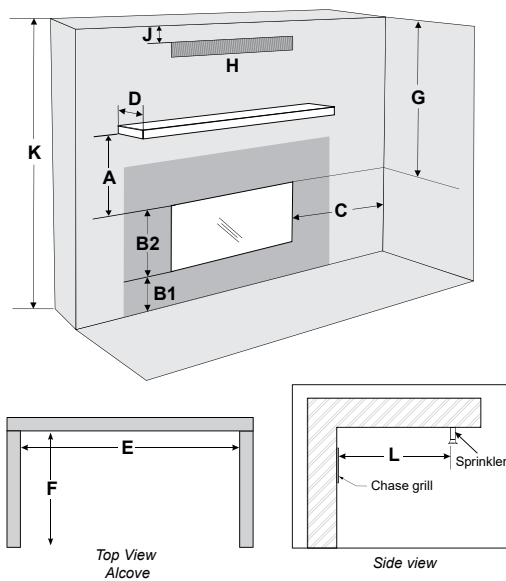


CLEARANCES		ACC40RE • ACC40LE
A	Mantel Height (min.)	**
B	Opening Height	382 mm
C	From Floor	Min. 0 mm
D	Sidewall (on one side)	Min. 914 mm
E	Mantel Depth (max.)	**
F	Alcove Depth	Min. 914 mm
G	Convection Air Outlet (min.)	*
H	Convection Air Outlet Opening Offset	0 - 76 mm
I	Chase Enclosure (min.)	1600 mm

*A minimum of 774 square centimeters of open area, not lower than 76mm from top of enclosure, required for all installations

** See mantel clearances chart in the manual

New York View units :



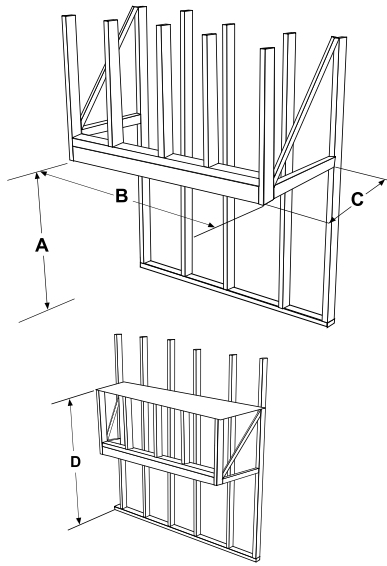
CLEARANCES		ACV40E
A	Mantel Height (min.)	**
B1	From Floor	Min. 0 mm
B2	Opening Height	383 mm
C	Sidewall (on one side)	216 mm
D	Mantel Depth (max.)	**
E	Alcove Width	2134 mm
F	Alcove Depth	914 mm
G	Ceiling (in front of fireplace)	953 mm
H	Convection Air Outlet (min.)	*
J	Convection Air Outlet Opening Offset	0 - 76 mm
K	Chase Enclosure (min.)	1600 mm

*A minimum of 306 square centimeters of open area, not lower than 152mm from top of enclosure, required for all installations

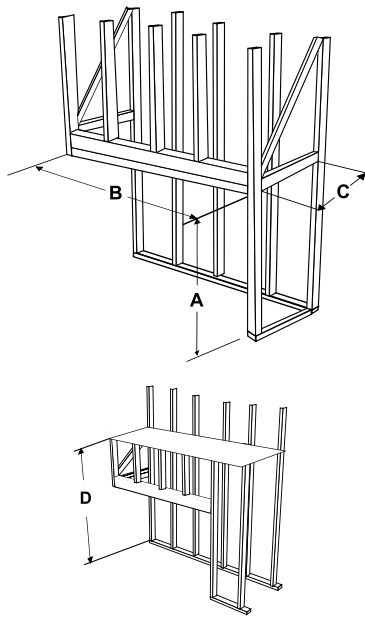
** See mantel clearances chart in the manual

FRAMING (mm)

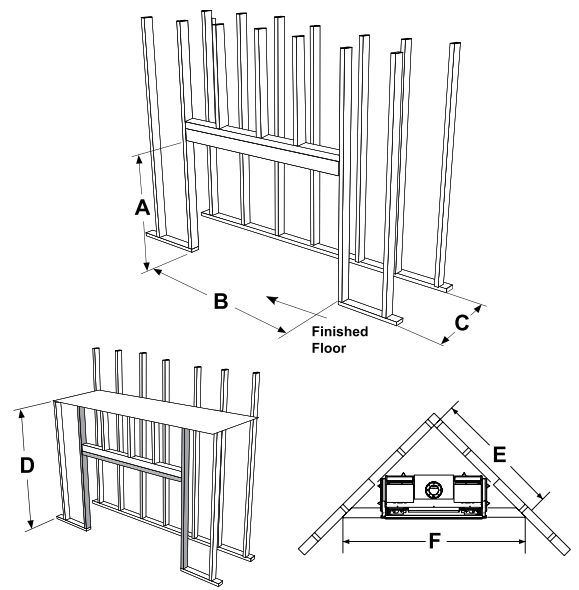
San Francisco Bay units :



Chicago Corner units :



New York View units :



FRAMING	ACB40E	ACC40RE • ACC40LE	ACV40E
A Framing Height	949 mm	949 mm	949 mm
B Framing Width	1232 mm	1226 mm	1187 mm
C Framing Depth	483 mm	483 mm	483 mm
D Minimum Height to Combustibles	1600 mm	1600 mm	1600 mm
E Corner Wall Depth	-	-	1396 mm
F Corner Facing Wall Width	-	-	1974 mm

Visit www.regency-fire.com.au for City Series downloads including:

- Specifications
- Detailed drawings
- Manuals
- Framing & clearances